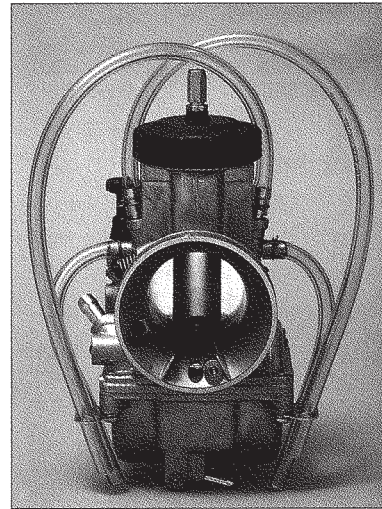
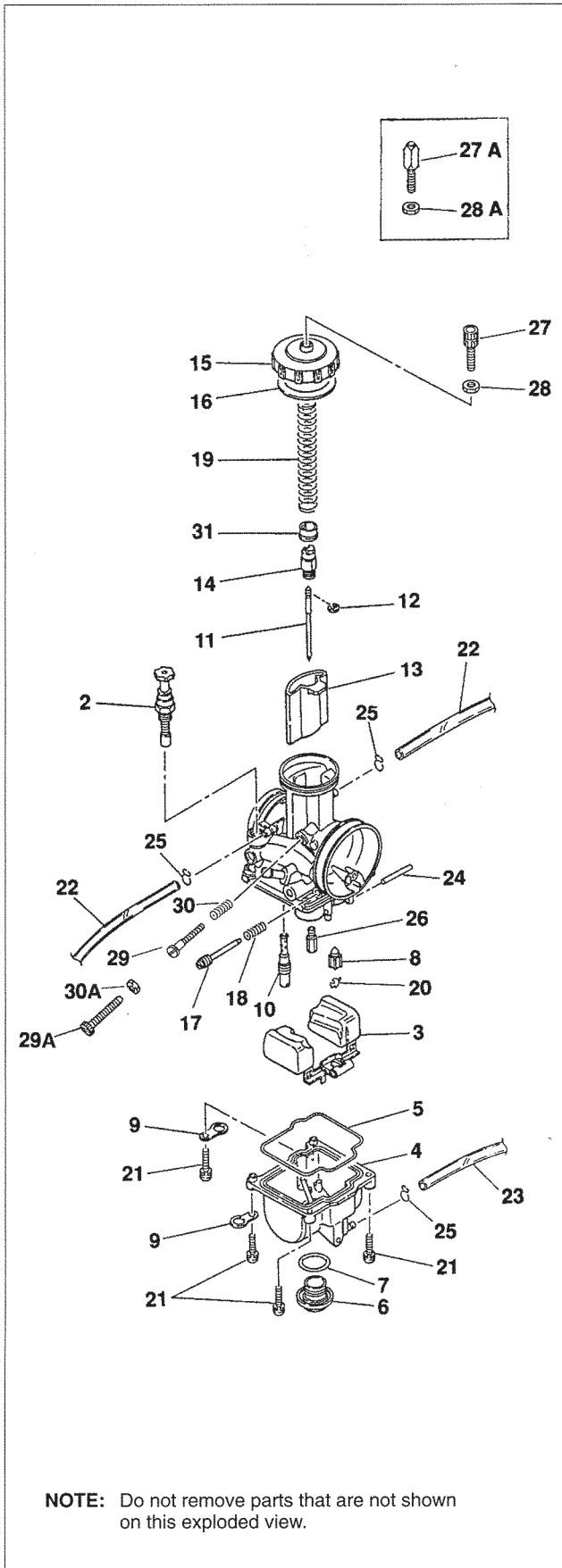


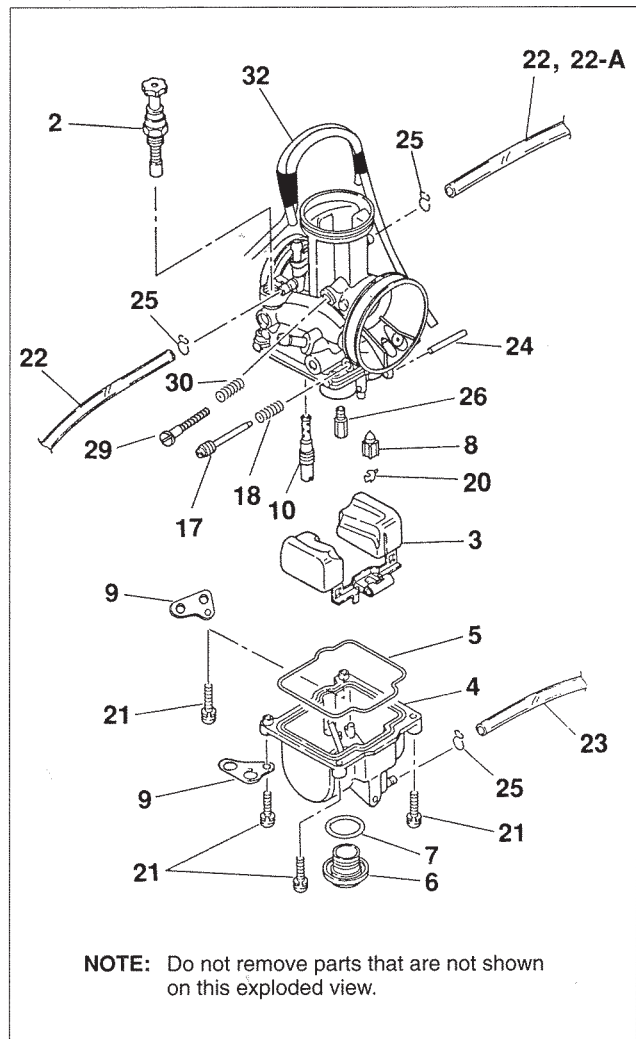
PWK 33, 35, 36, 38, 39 Carburetor Exploded View



PWK 38, Quad vents/Airstriker

Quad Vents/Air Strikers

* See parts number 11, 12, 14, 15, 16, 19, 27, 28, 31 from next drawing.



PWK 33 – 39 Carburetor Parts List

	DESCRIPTION	CARB. SIZE	QUAD VENT				QUAD VENT	QUAD VENT
			PWK33	PWK35	PWK38 & 39	PWK36	AIR STRIKERS	AIR STRIKERS
						PWK35	PWK38	
2	STARTER VALVE COMP.	1166-818-2101	<-----	<-----	<-----	<-----	<-----	
3	FLOAT	W1310-079-9921	<-----	<-----	<-----	<-----	<-----	
4	FLOAT BOWL COMP	W1350-311-9910	<-----	<-----	<-----	<-----	<-----	
5	GASKET FLOAT BOWL	16163-ND4-7510-M1	<-----	<-----	<-----	<-----	<-----	
6	PLUG SCREW	16162-ND4-7511-M1	<-----	<-----	<-----	<-----	<-----	
7	O-RING PLUG SCREW	16173-001-0040	<-----	<-----	<-----	<-----	<-----	
8	FLOAT VALVE COMP.	1062-814-2101	<-----	<-----	<-----	<-----	<-----	
9	ANCHOR PLATE Old No.	16179-428-6710-M1 (16179-428-6711-m1)	<-----	16179-428- 6710-M1	16179- KZ4-6900	16179- KZ4-6900	<-----	
10	SLOW JET	N424-21XXX	<-----	<-----	<-----	<-----	<-----	
11	JET NEEDLE	N427-48XXX	<-----	<-----	<-----	<-----	<-----	
12	CLIP JET NEEDLE	16115-169-0040	<-----	<-----	<-----	<-----	<-----	
13	THROTTLE VALVE	N502-15XXX	<-----	N502-17X00	<-----	N502-15X00	N502-17X00	
14	CABLE HOLDER	1101-804-2001	<-----	<-----	<-----	<-----	<-----	
15	TOP	1030-840-2001	<-----	<-----	<-----	<-----	<-----	
16	GASKET	16110-ND5-7610-M1	<-----	<-----	<-----	<-----	<-----	
17	AIR ADJUST SCREW	W1446-231-9900	<-----	<-----	<-----	<-----	<-----	
18	SPRING	W1711-416-9900	<-----	<-----	<-----	<-----	<-----	
19	SPRING THROTTLE	1290-917-2001	<-----	1290-920- 2001	<-----	1290-917- 2001	1290-920- 2000	
20	CLIP, FLOAT VALVE	0405-019-1000	<-----	<-----	<-----	<-----	<-----	
21	SCREW, FLOAT BOWL Old No.	N114-04163 (N114-04160)	<-----	<-----	<-----	<-----	<-----	
22	BOWL VENT PIPE	95003-07042-31	<-----	95003- 07048-31	95003- 07042-31	95003- 07048-31	<-----	
22A	BOWL VENT PIPE	N/A	N/A	N/A	0803-805- 2001	N/A	N/A	
23	OVERFLOW PIPE	95003-05033-31	<-----	<-----	<-----	<-----	<-----	
24	FLOAT PIN	W9525-25250	<-----	<-----	<-----	<-----	<-----	
25	CLIP	W9535-35000	<-----	<-----	<-----	<-----	<-----	
26	MAIN JET	99101-357-XXX0	<-----	<-----	<-----	<-----	<-----	
27	CABLE ADJUSTER	1036-804-2000	<-----	<-----	<-----	<-----	<-----	
27A	CABLE ADJUSTER	W9581-59250 (25mm)	<-----	<-----	<-----	<-----	<-----	
27B	CABLE ADJUSTER	W9581-59200 (20mm)	<-----	<-----	<-----	<-----	<-----	
28	NUT CABLE ADJUSTER	0208-007-1100	<-----	<-----	<-----	<-----	<-----	
28A	NUT CABLE ADJUSTER	W1793-130-9900	<-----	<-----	<-----	<-----	<-----	
29	IDLE ADJUSTER (PLASTIC)	1034-853-2000	<-----	<-----	<-----	<-----	<-----	
29A	IDLE ADJUSTER (BRASS)	N/A	1034-826- 2002	1034-826- 2002	N/A	N/A	N/A	
30	SPRING	1290-963-2000	<-----	<-----	<-----	<-----	<-----	
30A	NUT	N/A	94002- 0508-OS	<-----	N/A	N/A	N/A	
31	COLLAR	1118-A35-7000	<-----	<-----	<-----	<-----	<-----	
32	BOWL VENT PIPE COMP (FOR QUAD VENT)	N/A	N/A	N/A	1699-KZ3- 6900	<-----	<-----	